



New Telemecanique LC1-D80-11 (LC1D8011) Contactor Replacement - Data Sheet for US Breaker Brand Contactors with the Trusted UL Certification!



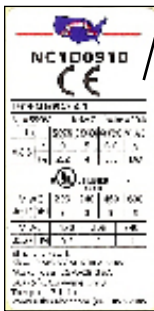
NC1 D95 11

- ✓ Standards: UL508, CSA C22.2, IEC 60947, and CE Marked
- ✓ Integral DIN Rail & Base Mounting in One Compact Footprint
- ✓ Superior ISO Quality Proven by Multiple Global Standard Certifications

Telemecanique LC1D8011 Contactor Replacement Cross Reference

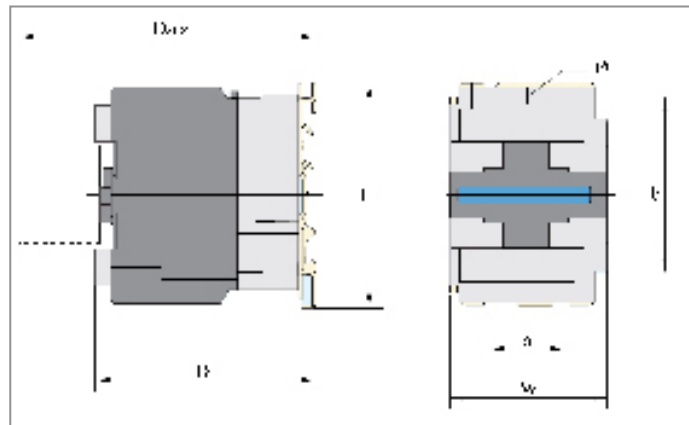
US Breaker- Brand Part #	Telemecanique Contactor Cross Ref		Control Coil Voltage	Auxiliaries		Price Each
	Direct	Direct		NO	NC	
NC1 D95 11 - V24	LC1D8011 - B7	LC1-D80-11 - B7	24V B7	1	1	\$78.88
NC1 D95 11 - V120	LC1D8011 - G6	LC1-D80-11 - G6	120V G6	1	1	\$78.88
NC1 D95 11 - V240	LC1D8011 - U6	LC1-D80-11 - U6	240V U6	1	1	\$78.88

NC1 D95 Contactor Technical



NCID Type	NC1-D95	
Thermal Current Ith (AC-1 IEC) Amps	660V	110
Inductive Current (AC-3 IEC) Amps	240V	30
	460V	50
	600V	50
UL Power Rating 3 Phase (Hp)	120V	7.5
	240V	20
IEC Power Rating (KW)	380/400V	45
	Elec.	600,000
Operations (AC-3)	Mech.	6,000,000

NC1 D95 Contactor Dimensions



Dim (in)	H	W	D	Daux	a	b	Ø
NC1 D95 11	5.1	3.4	5.0	6.5	1.6	3.9-4.3	0.26

NC1 D95 Contactor Coil Data

NCID Type		NC1-D95
Coil Power	Start-up (VA)	200
	Holding (VA)	20
Operation Range of Rated Voltage	Pick-up Voltage	85% - 100%
	Drop-out Voltage	20% - 75%

Accessories for NC1 D95 11 Contactors



NC1F411



NC1F422



NCF111C



NCSR2A



NC1F5



NC1MI0932a

Auxiliary Contacts

US Breaker- Part #	Telemecanique Cross Ref
NC F4 20	LA1DN 20
NC F4 11	LA1DN 11
NC F4 02	LA1DN 02
NC F4 40	LA1DN 40
NC F4 31	LA1DN 31
NC F4 04	LA1DN 04
NC F4 22	LA1DN 22
NCF1 11C	LA8DN 11

Time Delay Blocks

US Breaker- Part #	Telemecanique Cross Ref
NC F5 T2	LA2DT2
NC F5 D2	LA3DR2

Mechanical Interlocks

US Breaker- Part #	Telemecanique Cross Ref
NC MI 80 95a	LA9D80978

- Telemecanique part numbers are provided to assist in product selection. Proper engineering evaluation is required for each customer application.
- NC accessories are intended and UL listed for use with their associated NCID & series F NC2 contactors